

Valmet Conductivity Measurement

3100



Measurements for demanding applications

The Valmet Conductivity instruments measure high and low conductivity using the 4-electrode principle. Designed for conductivity control in industries such as pulp, power, pharmaceutical, food, brewery, sugar and chemical.

Four individually selectable set-up modes are available, two for very low conductivity and two for normal/high conductivity.

- No maintenance
- Long life
- 4-electrode measuring principle
- 13 preprogrammed temperature compensations
- Wide sensor-assortment for all applications
- Low installation costs
- Wide selection of process mounting accessories



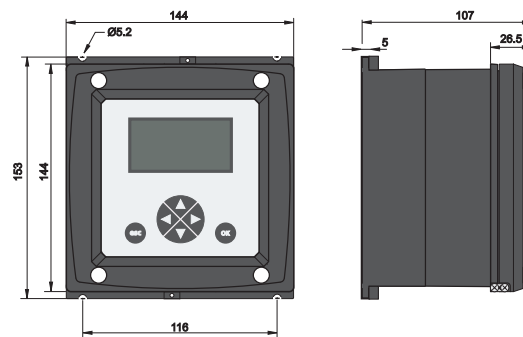
The Valmet Conductivity instruments are designed for very high precision and for a long and maintenance-free life.

- Rugged • Accurate • Reliable •

Technical data	
Range	0 μ S/cm to 2 S/cm and 0 μ S/m to 200 S/m
Temperature compensation	Very low cond. set-up: Off, ultra-pure water (neutral, acid, alkaline, ammonia), STD salt. Normal/high cond. set-up: Off, STD salt, weak lye, weak acids, slope
Output	Two current outputs 4–20 mA for conductivity or temperature
Temperature measurement	From -40 to +250 °C
Display	LCD
Sensor connection	Series 4100, 4200 and 4300 sensors with 11-pole strip connector and MF20 cable adaptor
Local or remote measuring range selection	Two very low conductivity and two normal/high conductivity set-up modes
Control voltage	12–30 V DC
HART® communication as standard	
Enclosure material	Cast aluminium, PE coated
Protection	IP67
Dimensions	144 x 144 x 107 mm
Weight	2.3 kg
Temperature	
- during operation	From -10 to +60 °C
- during storage	From -20 to +70 °C
Mounting	Panel, wall or pipe

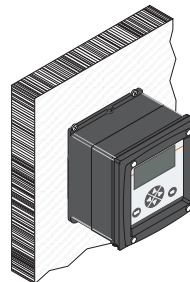
Type	3107H	3108H
Mounting	Wall	Panel
Power supply	Loop powered 18–30 V DC on mA1	
Alarm	No alarm	
Display	Non-illuminated	
Type	3117H	3118H
Mounting	Wall	Panel
Power supply	Line powered 85–265 V AC, 6 VA	
Alarm	Two relays 250 V AC, 8 A	
Display	Illuminated	

Dimensions in mm



Mounting options

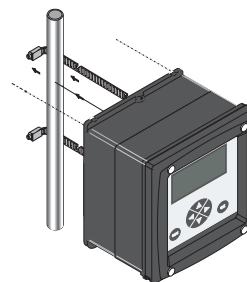
Wall



Panel



Pipe



Pipe mounting kits

Type No.	For pipe dimension
4902 a	25–38 mm
b	35–52 mm
c	50–73 mm
d	72–94 mm
e	82–114 mm