

Industrial Conductivity Sensors

4200 for series 3100 Conductivity and 3300 Concentration

Features

- Rugged, long life process sensors
- Accurate measurement
- No recalibration
- Low installation cost
- Minimum maintenance requirements

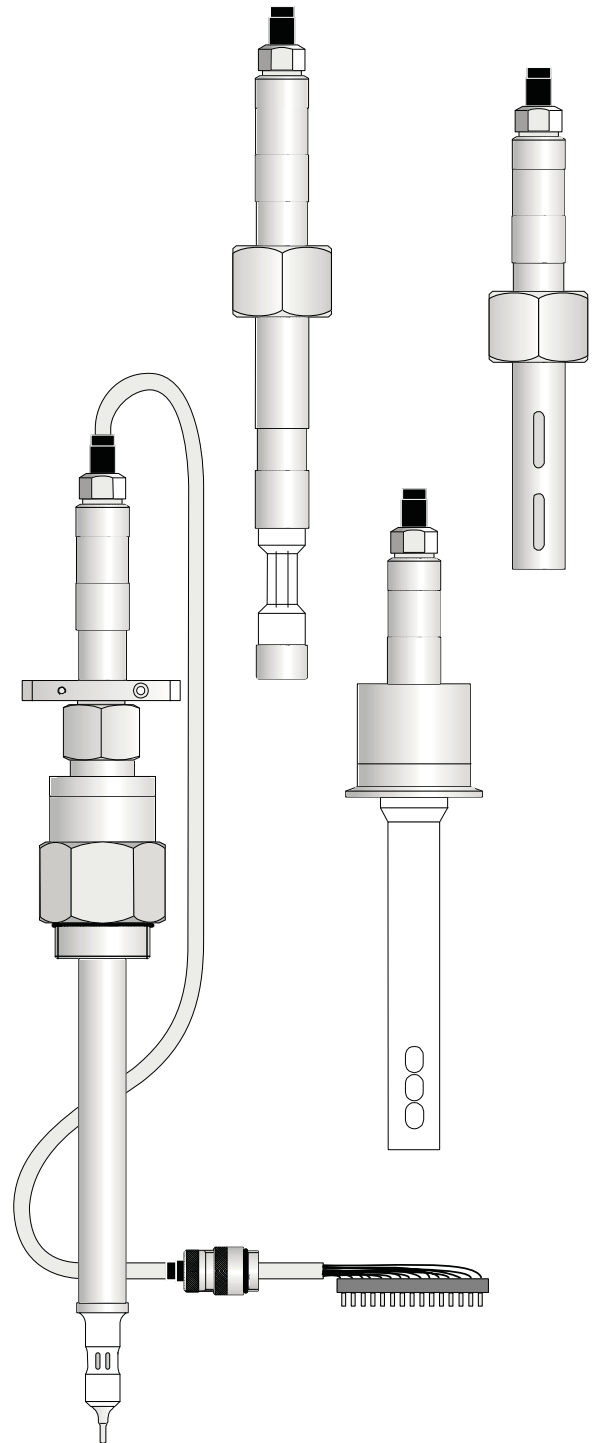
Technical data

- Electrodes of W 1.4404 (AISI 316L) steel, tantalum or platinum.
- Measuring body: PTFE or PVDF.
- Cable connection: W 1.4404 (AISI 316) steel, protection IP65.
- Cable: Type 706.35 PVC 12x0.25 mm², max. 70°C. Cable length options: 3, 5, 10 and 15 m.
- Cell constant: sensor specific, factory calibrated.
- Temperature element: Pt 1000 (IEC 751 class A).

Reliable 4-electrode in-line sensors with simple construction offer high measurement accuracy and performance at minimum maintenance. Designed for easy installation, with a large selection of adaptors to suit a wide range of applications.

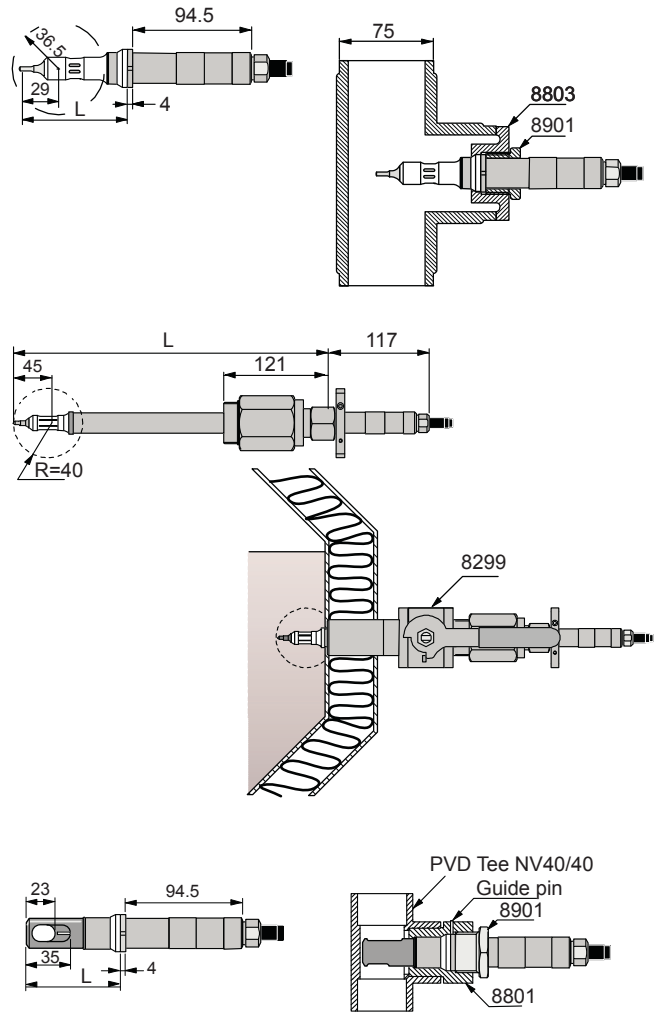
Sensors with internal electrodes: for mounting in tubes and places where space is scarce. Can be mounted in the flow direction or perpendicular to it, or in a tube bend when tube dimensions are small (32–75 mm). With smaller tubes (6–10 mm) the sensor can be mounted in a flow chamber, where the measuring volume is only 60 ml.

Sensors with external electrodes: for tank mounting and installations where the measurement may be disturbed by air bubbles or impurities in the liquor. These sensors require 150 mm (6") liquor around the sensor head.



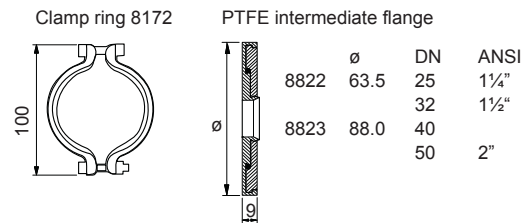
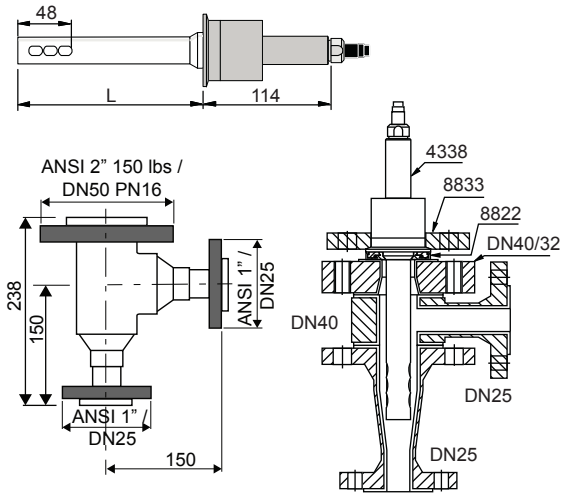
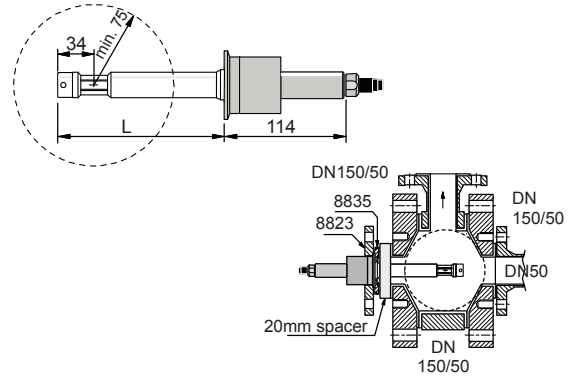
Type	Length (L)	Sensor body	Weight	Max. Bar/°C
Compact sensors				
4214	83 mm	PTFE	1.0	12/150
4215	250 mm	PTFE	1.1 kg	12/150
4216	370 mm	PTFE	2.0 kg	12/150
4241	73.5 mm	PVDF	1.0 kg	10/130

Dimensions, typical installation & accessories



Type	Length (L)	Sensor body	Weight	Max. Bar/°C	Elec-trodes
Sensors for strong acids					
4336	165 mm	PTFE	1.0 kg	12/120	Tantalum
4337	165 mm	PTFE	1.0 kg	12/120	Platinum
4338	165 mm	PTFE	1.0 kg	12/120	Tantalum
4339	165 mm	PTFE	1.0 kg	12/120	Platinum

Dimensions, typical installation & accessories



DIN slip-on flanges						
	DN	D	K	h	d	
	8831	kt	90	75	14	10.5
	8832	25	115	85	14	14
	8833	32	140	100	16	18
	8834	40	150	110	16	18
	8835	50	165	125	16	18

ANSI slip-on flanges					
	Class	ANSI	D	K	
	300	8842	1 1/4"	133.3	98.4
		8843	1 1/2"	155.6	114.3
		8844	2"	165.1	127.0
	150	8846	1 1/4"	117.5	88.9
		8847	1 1/2"	127.0	98.4
		8848	2"	152.4	120.6